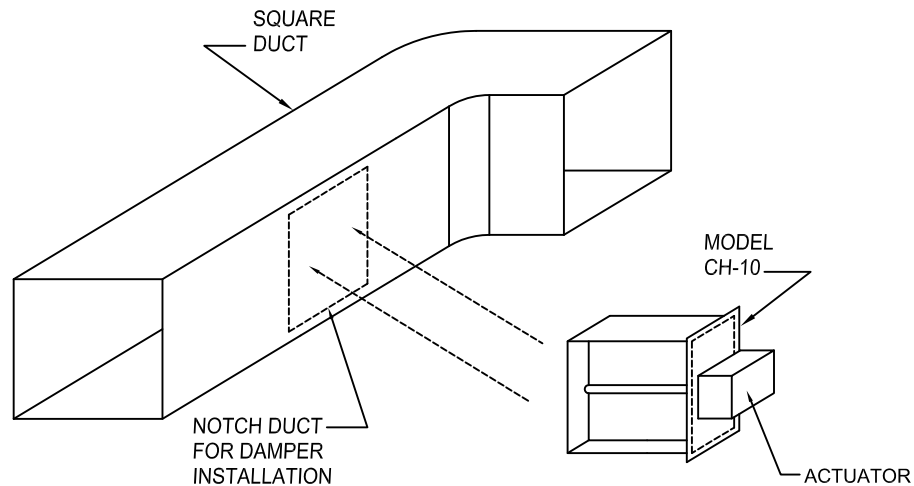
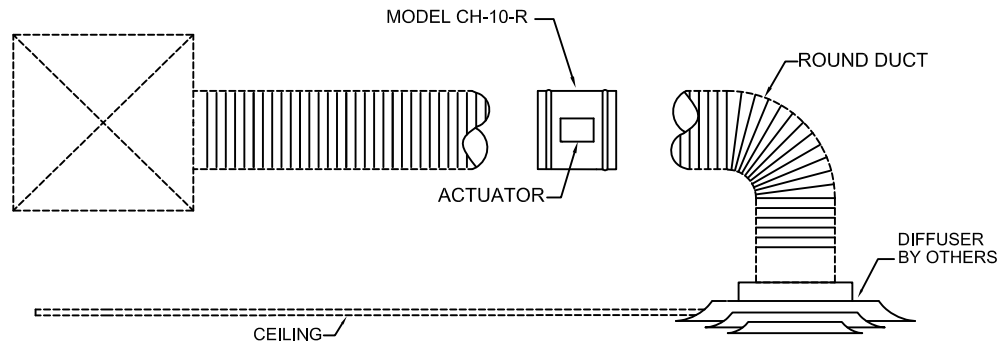


Operation & Maintenance Instructions

All components received must be checked against packing slip within one week after receipt of goods

1. Verify that the actuator wiring is disconnected. PO/SC or PC/SO will determine damper position.
2. Check that motor cover is installed. Please consult factory if missing or damaged.
3. Keep damper motor away from any direct contact of moisture or debris.
4. Do not lubricate any components of the damper. All oilite bushings are permanently lubricated.
5. Clean damper if attached ductwork is cleaned.



Job Name:	<input type="checkbox"/> Model CH-10 & CH-10-R		
Location:			
Architect:	DRAWN BY: SRB	DATE: 8-1-07	REV. DATE: 11-8-10
Engineer:	REV. NO. 3	APPROVED BY: BGT	DWG. NO.: G-3
Contractor:			